

THIS DRAWING IS UNPUBLISHED.

RELEASED FOR PUBLICATION

© COPYRIGHT - By -

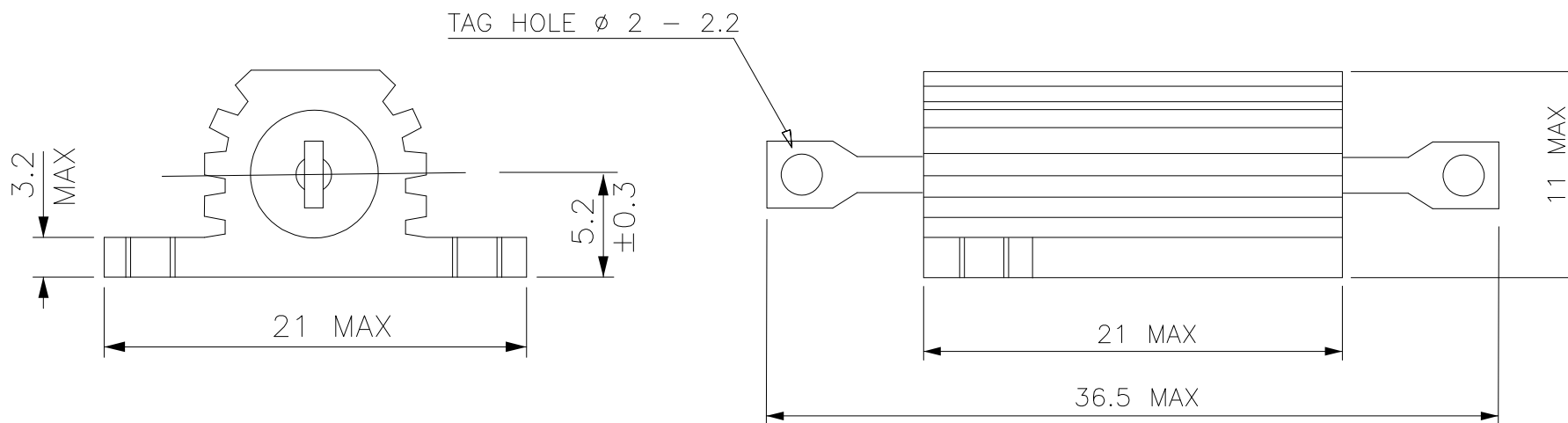
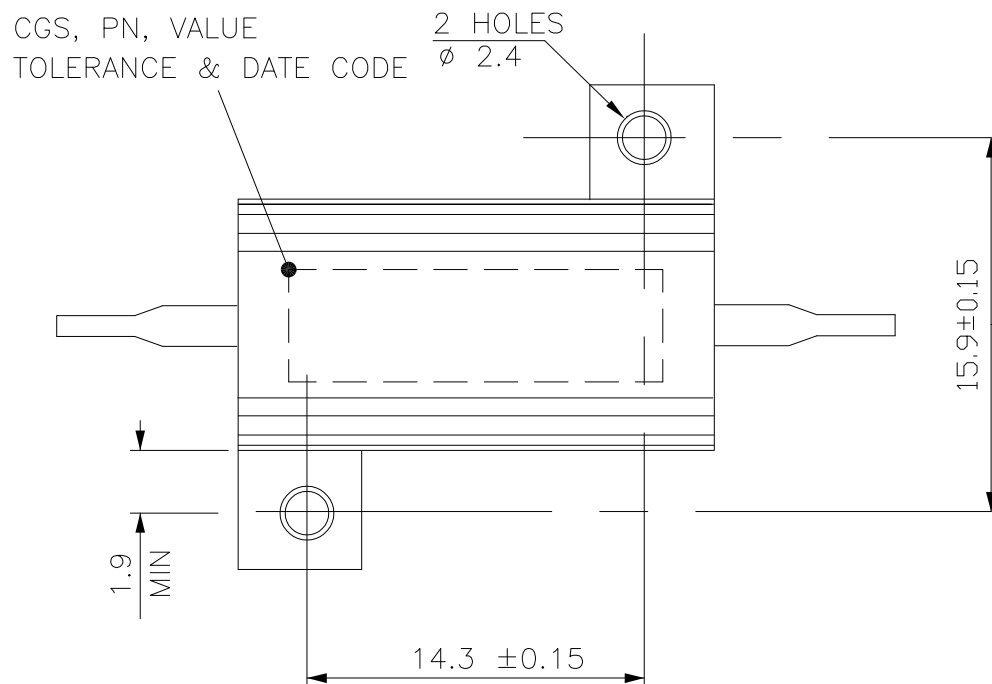
ALL RIGHTS RESERVED.

LOC E	DIST B	REVISIONS		
P	LTR	DESCRIPTION	DATE	DWN
	P	REVISED PER ECO-11-005150	21MAR11	RK
				APVD HMR

TECHNICAL SPECIFICATION

DISSIPATION AT 25°C	16 WATTS MOUNTED ON STANDARD HEATSINK
BS OHMIC RANGE	R01 TO 10K
STABILITY	$\Delta R \leq 1\%$ PER 1000HRS
ISOLATION VOLTAGE	1400V DC/AC PK
MAX WORKING VOLTAGE	265V DC/AC RMS
TEMP COEFFICIENT	<100R ± 50 ppm/°C >100R ± 30 ppm/°C
CLIMATIC CATEGORY	55/200/56

FOR FURTHER INFORMATION SEE DATA SHEET FOR THS SERIES ALUMINIUM HOUSED RESISTORS



FOR A SPECIFIC PN A RESISTANCE VALUE AND TOLERANCE, PLEASE REFER TO DMF.

RoHS Compliant

THIS DRAWING IS A CONTROLLED DOCUMENT.		DWN R BLANCH 19SEPT06	TE Connectivity		
DIMENSIONS: mm		CHK J CATCHPOLE 19SEPT06			
TOLERANCES UNLESS OTHERWISE SPECIFIED:		APVD J CATCHPOLE 19SEPT06	PRODUCT SPEC		
0 PLC ± 0.5 1 PLC ± 0.2 2 PLC ± 0.1 3 PLC $\pm -$ 4 PLC $\pm -$ ANGLES $\pm 5^\circ$		APPLICATION SPEC			RESTRICTED TO
MATERIAL		WEIGHT	SIZE A3	CAGE CODE 00779	DRAWING NO C-1879074
FINISH		CUSTOMER DRAWING			SCALE NTS
		SHEET 1 OF 1			REV P